

Check Valve - Screw in Cartridge (ISO 7789-1998)



the right connection
the right environment

Ref. No : H06925, Release March 2018 (Dimensions in mm)

Description

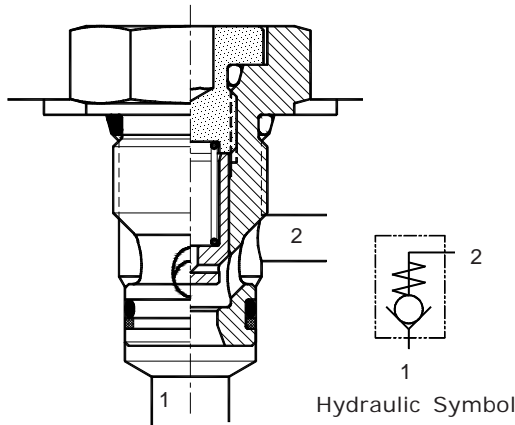
KSC check valves are two port screw-in cartridge valves that are designed to fit in a cavity conforming to ISO 7789 : 1998 (E).

These are seat type valves, available in four different sizes and with five different cracking pressures in each size.

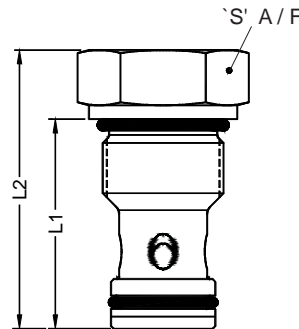
Check valves allow free flow in one direction while providing leak-free closure in reverse direction



Section



Unit Dimensions

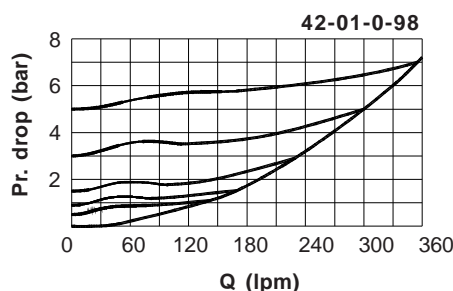
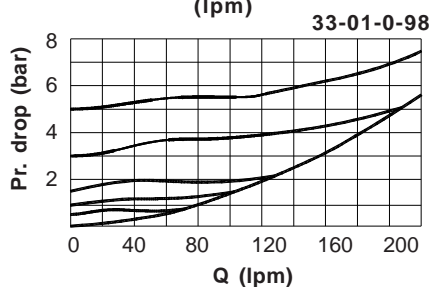
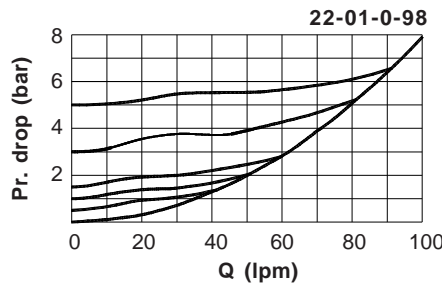
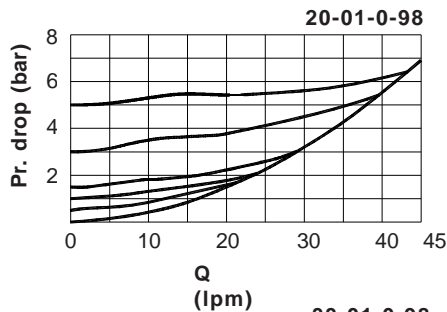


Size	Threads	Torque
20-01-0-98	M20	140 Nm
22-01-0-98	M22	150 Nm
33-01-0-98	M33	350 Nm
42-01-0-98	M42	500 Nm

Size	L1	L2	S
20-01-0-98	30.0	41.5	27
22-01-0-98	38.0	52.5	27
33-01-0-98	49.5	81.5	41
42-01-0-98	55.0	91.0	50

Technical Specifications

- Construction Poppet seat type.
- Mounting style Screw-in cavity as per ISO : 7789 : 1998 (E)
- Mounting position Optional
- Flow direction Free flow from 1 to 2
- Operating pressure 350 bar
- Hydraulic medium Mineral Oil.
- Viscosity range 10 cSt to 380 cSt.
- Fluid temperature range -20 °C to +80 °C
- Fluid Cleanliness requirement As per ISO 19/16 or better. (NAS 10)
- Nom. flow handling capacity Refer graphs



Performance curves
Testing as per
ISO 6403 : 1998 (E)
Oil used : ISO VG 46,
Viscosity - 46 cSt @ 40 °C
Direction of flow : 1 to 2

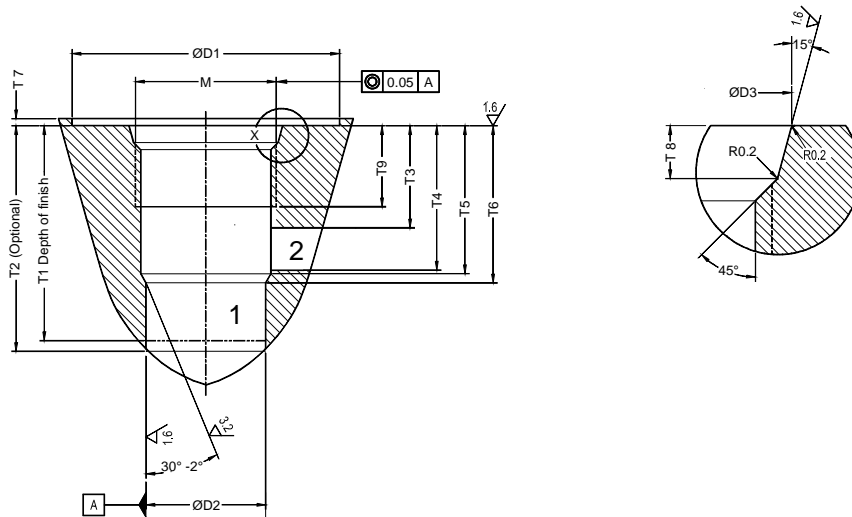
Check Valve - Screw in Cartridge (ISO 7789-1998)



the right connection
the right environment

Ref. No : H06925, Release March 2018 (Dimensions in mm)

Cavity Details



Codification	20-01-0-98	22-01-0-98	33-01-0-98	42-01-0-98
M	M20x1.5	M22x1.5	M33x2.0	M42x2.0
D1 min	38.0	42.0	58.0	74.0
D2 H8	17.0	19.0	29.0	38.0
D3 +0.1	21.8	23.8	35.4	44.4
T1 min	30.5	38.5	50.0	56.0
T2 +1	32.0	40.0	52.0	58.0
T3 min	14.5	17.0	22.0	23.0
T4 max	20.5	27.5	38.5	43.5
T5 +0.4 (ref)	21.0	28.0	39.0	44.0
T6 +0.4	22.3	29.3	40.7	45.7
T7 max	2.0	2.0	2.5	2.5
T8 +0.4	2.4	2.4	3.1	3.1
T9 min	14.5	15.5	19.0	19.5

Ordering Code

